

SHARP

DX-2500N DX-2000U

Digital Full Colour Multifunctional System



Isn't It Time to Upgrade Your
Communications with an
Affordable A3 Colour Solution?



COPY

NETWORK PRINT

NETWORK SCAN

FAX
OPTION

All the Document Essentials Plus Colour— Now Is the Time to Upgrade

The DX-2500N/2000U is ideal for small offices and for departmental use in large companies. Customers looking to install their first MFP or to upgrade from a B/W model will find the full-colour DX-2500N/2000U an excellent choice. This affordable A3 solution performs essential document functions—copy, print, and scan—with ease and can accommodate a range of options for customised expansion as your business grows.



: Copy : Print : Scan

SUPERB IMAGE QUALITY

Selectable Printer Languages

For smooth image reproduction, the DX-2500N/2000U supports 2-bit gradation as standard when printing via Sharp Advanced Printer Language-c. The DX-2500N also supports **PCL 6*** as standard; it is an option for DX-2000U. For compatibility with **PostScript® 3™***, the MX-PK11 PS3 Expansion Kit is available.

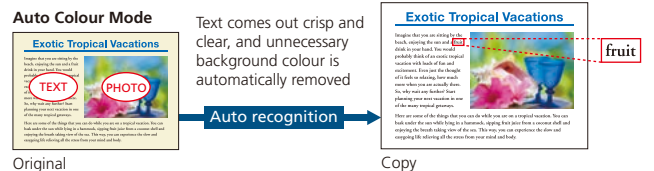
*As print performance may decline with some types of data, Sharp recommends installing optional MX-EB17 for maximum performance on both DX-2500N and DX-2000U.

Improved Imaging System

Second-generation Mycrostoner-HG (High Grade) expands the colour reproducibility range for a more natural rendering of clear blue skies, emerald green oceans, and other colour images. And the smaller particle size of the toner and the carrier allows for reduced graininess and clear reproduction of fine lines, fine text, and halftone colours.

Enhanced Scanning and Copying

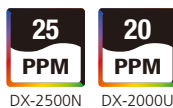
The DX-2500N/2000U comes standard with **Auto Colour Mode** to deliver high-quality copies and scans from documents that contain not only text but also photos and maps. Here's how it works: **Auto Colour Selection** automatically determines whether a page is colour or B/W. Page contents are then analysed to distinguish between different components, such as photos and text, and the appropriate copy/scan mode is selected. Finally, Background Suppression automatically removes unnecessary background colour.



PRODUCTIVITY

Super-Efficient Output

The DX-2500N/2000U delivers a fast output of maximum **25/20 ppm*** in colour and B/W. The first copy comes out in **7.4/8.8 seconds** in B/W and **10.0/10.2 seconds** in colour to save valuable time when performing multiple short-run jobs.



*A4, long-edge feeding

RSPF and Stackless Duplex Module

The DX-2500N/2000U can make **two-sided copies and printouts** using its built-in duplex module. Adding the **100-sheet RSPF*** (reversing single pass feeder) brings even greater copy/scan efficiency.

*Standard on DX-2500N, optional for DX-2000U.



Job-Build for Large-Volume Scanning

The DX-2500N/2000U easily handles large-volume copy/scan jobs exceeding the RSPF's 100-sheet*¹ paper capacity. For example, a 270-sheet original can be scanned as batches of 100 + 100 + 70 sheets and automatically stored in the MFP's memory*². Users can then print and/or send the entire document in a single run.

*1: A4 (8 1/2" x 11"), 80 g/m²

*2: Entire document might not be scanned if the memory is being used for other jobs.

Versatile Paper Handling, In-Line Finishing Options

- The DX-2500N/2000U can handle paper up to **300 g/m²*¹** thick as well as extra-long paper up to **1,200 mm*²**, expanding the range of possible printing applications.



*1: Paper thicker than 220 g/m² must be fed through multi-bypass tray.

*2: Requires optional MX-LT10. Contact a Sharp customer representative for details on using this function.

- A space-efficient **Finisher** and a **Punch Module** are optionally available for the DX-2500N.

Direct Printing*

The DX-2500N/2000U can print PDF, TIFF, or JPEG files without using the printer driver. And a USB port (at the front and rear of the DX-2500N / at the rear of the DX-2000U) comes in handy when printing data directly from USB memory devices.



DX-2500N

*Direct printing on DX-2000U requires optional MX-PB17 or MX-EB17; USB direct printing on both models requires optional MX-EB17. On both models, direct PDF printing requires optional MX-PK11; direct encrypted PDF printing additionally requires MX-EB17.

Other Key Features

- Multi-Shot** copying and **N-up** printing
- Card Shot** enables easy copying—in the user-selected size—of both sides of a card onto a single page

EASE OF USE

User-Friendly Control Panel

The DX-2500N/2000U is equipped with a **7.0-inch WVGA touchscreen colour LCD** that provides easy navigation of MFP functions and settings. Displaying **thumbnails*** and up-close **previews*** of Document Filing* data files on the MFP's LCD makes file searching easy and convenient. It also lets users confirm scan settings and other items before copying, scanning, or saving documents to the MFP's hard disk*. Thumbnails and previews of incoming faxes can also be displayed on the LCD to help users decide which documents to print out or forward.

*Requires optional MX-EB17.



Thumbnails



Preview

OTHER KEY FEATURES

For further information on these features, please refer to Sharp's solutions brochure.

MULTI-LAYERED SECURITY

Network Security and Access Control

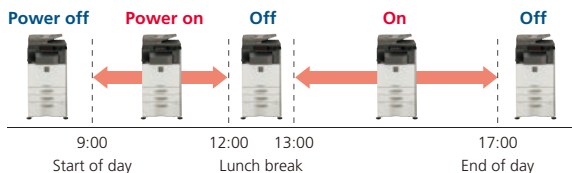
- **IP/MAC Address Filtering** ensures that only PCs with a registered IP or MAC address can access networked MFPs.
- **SSL** (secure sockets layer) and **IPsec** data encryption technologies ensure secure network communications.
- **User Authentication** covering up to 1,000 users prevents unauthorised MFP use by requiring access passwords.

Data Protection

- Job data is automatically **encrypted*** before being saved to the MFP's internal storage. Once a job is finished, its encrypted data is **erased** by up to 10 automatic overwrites*.
- *Requires optional MX-EB17. Contact a Sharp customer representative for details on activating this function.
- Retained data can be **initialised** when it's time to replace the MFP, preventing the leakage of confidential information.

OUTSTANDING ECO TECHNOLOGIES

- **Power ON/OFF Schedule** function automatically turns the MFP on or off per administrator-set schedules.



- Based on prior usage patterns, the DX-2500N/2000U automatically determines the optimal length of time to let elapse before going into **auto power shut-off mode**, helping reduce overall power consumption.
Note: Requires optional MX-EB17.
- **Eco Scan** function saves energy by keeping the fusing system shut down during jobs that don't require its use.

INFORMATION SHARING

Multiple Distribution of Scanned Files

You can choose different ways to distribute your scanned documents: for example, send as an e-mail attachment, scan directly to an FTP server for storage, or scan to external memory.



- **Sharpdesk** desktop document management software lets you easily organise, search, edit, and distribute your scanned documents. And **Document Filing*** allows you to save processed job data on the MFP's hard disk for instant recall and reuse.
*Requires optional MX-EB17.

Versatile Fax Functions (option)

- **Super G3 Fax** and **Internet Fax***
- **Inbound Routing*** lets you check incoming faxes via e-mail before printing, or forward them to another FTP server, fax machine, etc.
*Additionally requires optional MX-EB17.

EXPANDABILITY

Sharpdesk Mobile*

Sharpdesk Mobile is a mobile print/scan application that connects the MFP to mobile devices via wireless LAN.

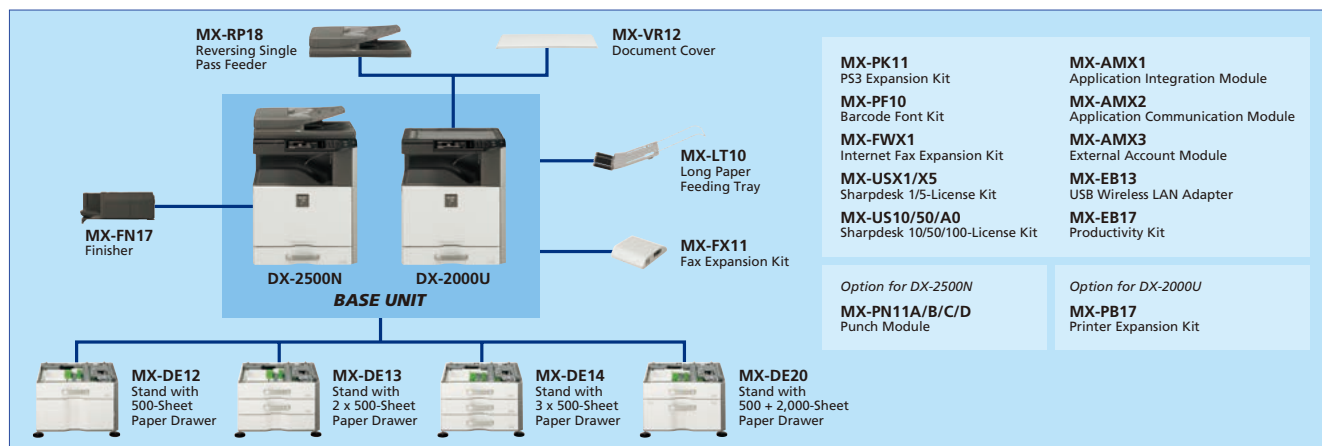
*Availability varies by country/region. For details, see the Sharpdesk Mobile support Web site:
http://sharp-world.com/products/copier/docu_solutions/mobile/sharpdesk_mobile/

Sharp OSA* (Open Systems Architecture)

Sharp OSA allows integration with cloud-based applications.

*Requires optional MX-EB17 and MX-AMX2 and/or MX-AMX3.

SYSTEM CONFIGURATION



Certain options may not be available in some areas.

SPECIFICATIONS (tentative)

General	
Type	Desktop
Engine speed [DX-2500N] (max.)	A4*1: 25 ppm 8 1/2" x 11"*1: 24 ppm
[DX-2000U]	A3 (11" x 17")*: 11 ppm A4 (8 1/2" x 11")*1: 20 ppm A3 (11" x 17")*: 10 ppm
Control panel display	7.0-inch colour LCD touchscreen
Paper size	Max. A3 wide (12" x 18"), min. A5 (5 1/2" x 8 1/2")*2
Paper capacity (80 g/m ²)	Standard: 600 sheets (500-sheet tray and 100-sheet multi-bypass tray) Maximum: 3,100 sheets (600 sheets & optional 500 + 2,000-sheet tray)
Paper weight	Tray: 60 g/m ² to 220 g/m ² (16 lbs bond to 80 lbs cover) Multi-bypass tray: 55 g/m ² to 300 g/m ² (13 lbs bond to 110 lbs cover)
Warm-up time*3	45 sec.
Memory	Standard: 2GB (copy/print shared) Option: 1GB*4 250GB HDD**4*5
Power requirements	Rated local AC voltage ±10%, 50/60 Hz
Power consumption	Max. 1.84 kW (220 to 240V)
Dimensions [DX-2500N] (W x D x H)	583 x 617 x 834 mm (22 1/4" x 24 1/4" x 32 7/32")
[DX-2000U]	583 x 617 x 717 mm (22 1/4" x 24 1/4" x 28 15/64")*6
Weight [DX-2500N] (approx.)	73 kg (161.0 lbs)
[DX-2000U]	63 kg (138.9 lbs)*6

Copier	
Original paper size	Max. A3 (11" x 17")
First copy [DX-2500N] time*7	Full colour: 10.0 sec. B/W: 7.4 sec.
[DX-2000U]	Full colour: 10.2 sec. B/W: 8.8 sec.
Continuous copy	Max. 999 copies
Resolution	Scan (colour): 600 x 600 dpi Scan (B/W): 600 x 600 dpi, 600 x 400 dpi, 600 x 300 dpi Print: 600 x 600 dpi, 9,600 (equivalent) x 600 dpi (depending on copy mode)
Gradation	Equivalent to 256 levels
Zoom range	25 to 400% (25 to 200% using RSPF) in 1% increments
Preset copy ratios	Metric: 10 ratios (5R/5E), inch: 8 ratios (4R/4E)

Network Scanner	
Scan method	Push scan (via control panel) Pull scan (TWAIN-compliant application)*4
Scan speed*8	[Colour & B/W] Max. 31 originals/min.
Resolution	Push scan: 100, 200, 300, 400, 600 dpi Pull scan*4: 75, 100, 150, 200, 300, 400, 600 dpi 50 to 9,600 dpi via user setting*9
File formats	TIFF, PDF, PDF/A, encrypted PDF, JPEG*10, XPS
Scanner utility	Sharpdesk
Scan destinations	Scan to e-mail/desktop/FTP server/network folder (SMB)/ USB memory

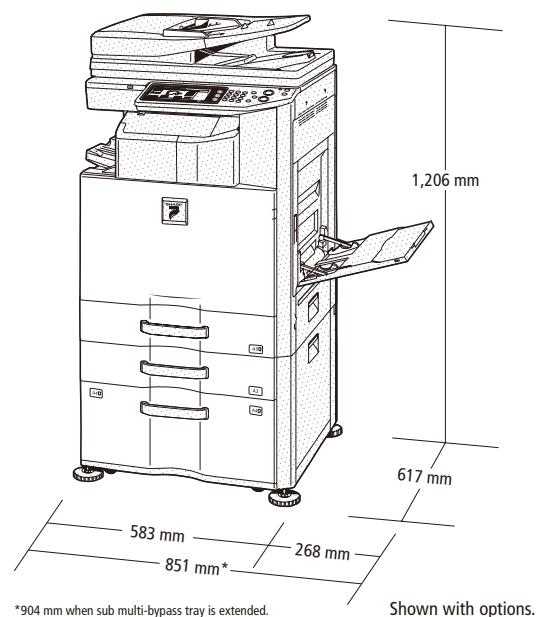
*1: Long-edge feeding. *2: Only short-edge feeding can be used with A5 (5 1/2" x 8 1/2") paper. *3: At rated voltage, 23°C (73.4°F). May vary depending on operating conditions and environment. *4: Requires optional MX-EB17. *5: HDD capacity depends on procurement and sourcing status. *6: Including document cover. *7: Long-edge feeding of A4 (8 1/2" x 11") sheets from paper tray, using document glass, without Auto Colour Selection and Auto Colour mode, MFP in fully ready condition. May vary depending on operating conditions and environment. *8: Based on Sharp's A4 standard chart, using document feeder, long-edge feeding, and one-sided scanning. Using factory default settings with Auto Colour Selection off. Scan speed will vary depending on the type of document and the scan settings. *9: Resolutions higher than 600 dpi are interpolated. *10: Colour only. *11: Storage capacity will vary depending on the type of document and the scan settings. *12: Some features require option(s). *13: Optional MX-PK11 required for Mac OS and EtherTalk. *14: IPv6 is supported only by LPR printing protocol. *15: PostScript 3 requires optional MX-PK11. As print performance may decline with some types of data, Sharp recommends installing optional MX-EB17 for maximum performance of PCL 6 and PostScript 3. *16: PCL 6 and PostScript 3 require optional MX-PB17 or MX-EB17. As print performance may decline with some types of data, Sharp recommends installing optional MX-EB17 for maximum performance. PostScript 3 additionally requires optional MX-PK11. *17: Based on Sharp's standard chart with approx. 700 characters (A4 or 8 1/2" x 11" long-edge feeding) at standard resolution in Super G3 mode, 33,600 bps, JBIG compression.

- Design and specifications are subject to change without prior notice.
- PCL is a registered trademark of Hewlett-Packard Company. PostScript 3 is either a registered trademark or trademark of Adobe Systems Incorporated in the US and/or other countries. Windows, Windows Server, and Windows Vista are registered trademarks of Microsoft Corporation in the US and/or other countries. Mac OS, EtherTalk, and AppleTalk are trademarks of Apple Inc., registered in the US and other countries. All other brand names and product names may be trademarks or registered trademarks of their respective owners.
- The ENERGY STAR logo is a certification mark and may only be used to certify products that have been determined to meet the ENERGY STAR programme requirements. ENERGY STAR and the ENERGY STAR mark are registered trademarks owned by the US Environmental Protection Agency. The ENERGY STAR guidelines apply to products only in the US, the EU, Japan, Canada, Australia, New Zealand, and Taiwan.

Document Filing (optional MX-EB17 required)	
Document filing capacity*11	Main and custom folders: 20,000 pages or 3,000 files Quick file folder: 10,000 pages or 1,000 files
Stored jobs*12	Copy, print, scan, fax transmission
Storage folders	Quick file folder, main folder, custom folder (max. 1,000 folders)
Confidential storage	Password protection

Network Printer	
Resolution	600 x 600 dpi, 9,600 (equivalent) x 600 dpi
Interface	USB 2.0, 10Base-T/100Base-TX/1000Base-T
Supported OS*13	Windows Server® 2008, Windows Server® 2008 R2, Windows Server® 2012, Windows Server® 2012 R2, Windows Vista®, Windows® 7, Windows® 8, Windows® 8.1, Mac OS X 10.4, 10.5, 10.6, 10.7, 10.8, 10.9, 10.10
Network protocols*13	TCP/IP (IPv4, IPv6), IPX/SPX (NetWare), EtherTalk (AppleTalk)
Printing protocols*14	LPR, Raw TCP (port 9100), POP3 (e-mail printing), HTTP, FTP for downloading print files, EtherTalk printing, IPP
PDL [DX-2500N]*15	Standard: Sharp Advanced Printing Language-c, PCL 6 emulation Option: PostScript® 3™ emulation
[DX-2000U]*16	Standard: Sharp Advanced Printing Language-c Option: PCL 6 emulation, PostScript 3 emulation
Available fonts	80 fonts for PCL, 136 fonts for PostScript 3 emulation

B/W Facsimile (optional MX-FX11 required)	
Compression method	MH/MR/MMR/JBIG
Communication protocol	Super G3/G3
Transmission time	Less than 3 seconds*17
Modem speed	33,600 bps to 2,400 bps with automatic fallback
Transmission resolution	From Standard (203.2 x 97.8 dpi) to Ultra Fine (406.4 x 391 dpi)
Recording size	A3 to A5 (11" x 17" to 5 1/2" x 8 1/2")
Memory	512MB, max. 1GB*4
Greyscale levels	Equivalent to 256 levels



*904 mm when sub multi-bypass tray is extended.

Distributed by:

SHARP